



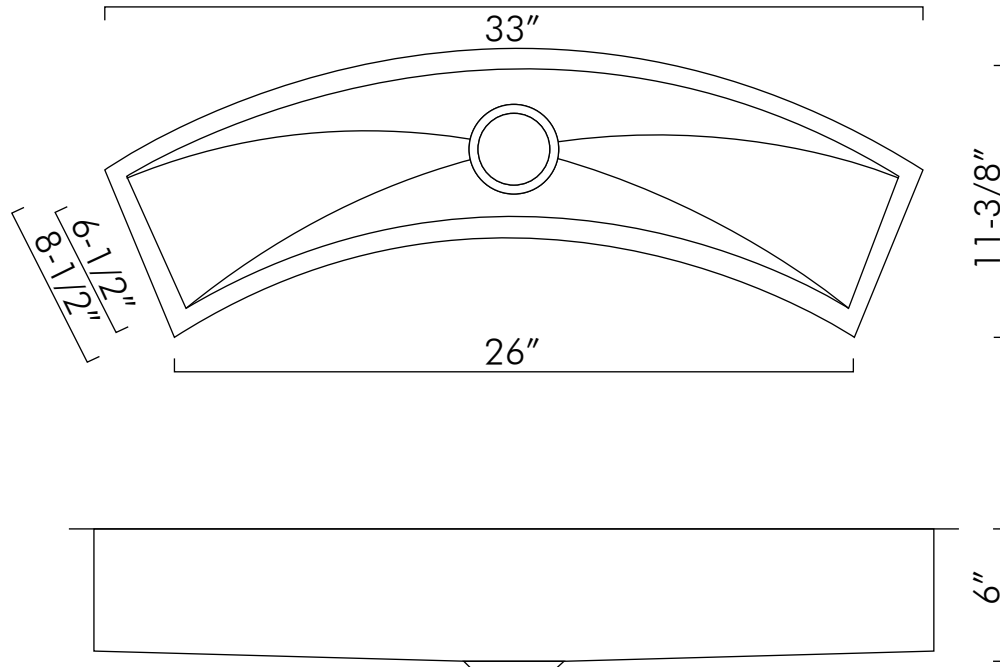
DAX-SQ-3312-C



BAR KITCHEN SINKS **SERIES**



www.daxib.com



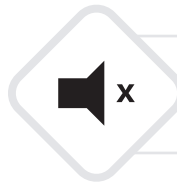
FEATURES

- Handmade sink
- 0mm radius corner
- Undermount
- 304 Stainless Steel
- 16 gauge
- Brushed Stainless Steel
- Size W 33" x H 11-3/8" x D 6"
- Standard 3-1/2" drain opening
- Undercoated and sound pads
- Mounting clips and cutting template

ACCESSORIES

- Stainless steel basket strainer not included (available)
- Stainless steel standard strainer not included (available)
- Grey silicone dish rack not included (available)





**TOP QUALITY
SOUNDPROOFING**

Thick rubber dampening pads absorb vibration and noise, ensuring quieter use.



**PROTECTIVE
UNDERCOATING**

Commercial-grade non-toxic undercoating provides extra soundproofing and prevents condensation buildup in the base cabinet

HANDMADE
BY ARTISANS

UNIQUELY
HAND CRAFTED
BY **ARTISANS**

x SOUND
DAMPENING

EXTRA-THICK
3 mm
RUBBER PADS

16G
THICK STEEL

DURABLE
1.5 mm STEEL
CONSTRUCTION

PREMIUM GRADE
304

18% CHROMIUM
10% NICKEL
COMPOSITION

HIGH QUALITY
DAX
WARRANTY
PRODUCTS

CONSULTING
AT **DAXIB.COM**





KITCHEN SINK **DAX-SQ-3312-C**

MODEL	DAX-SQ-3312-C
INNER BASIN WIDTH (in)	26"
INNER BASIN HEIGHT (in)	8-1/2"
HEIGHT	11-3/8"
DEPTH	6"
WIDTH	33"
BOTTOM GRIDS INCLUDED	no
BASIN SPLIT	no
BASKET STRAINER INCLUDED	no
COLANDER INCLUDED	no
DRAIN CONNECTION	3-1/2"
DRAIN PLACEMENT	center
FARMHOUSE	no
FAUCET HOLES	no
GAUGE	16
INSTALLATION TYPE	Undermount
MATERIAL	304 Stainless Steel
MINIMUM CABINET SIZE	X
MOUNTING HARDWARE INCLUDED	yes
NUMBER OF BASINS	1
PRODUCT WEIGHT	20.018 lb
SINK SHAPE	rectangle
SOUND DAMPENING	yes
STAINLESS STEEL GRADE	304
UPC APPROVED	yes
SINK FINISH TYPE :	brushed

For parts or sale requirements please contact our customer service department:



CS@daxib.com



1 888 685 8236

